

# P-100/P-100I PermTec™ Dual 5" Full-Range Loudspeaker Systems



The P-100 and P-100I are full range installation cabinets containing two cast frame 5" LF drivers and a horn loaded HF device. Although the two models contain the same components, their cabinets are quite different. The P-100 has a sealed weather resistant cabinet whereas the P-100I cabinet is vented and constructed of 15 mm Baltic Birch.

- Mounting is with an aluminum 'C' bracket as shown in the drawings below or with a series 75 Omnimount.
- Optional internal 30 watt transformer for 70 volt distributed systems
- 5 Year Limited Warranty

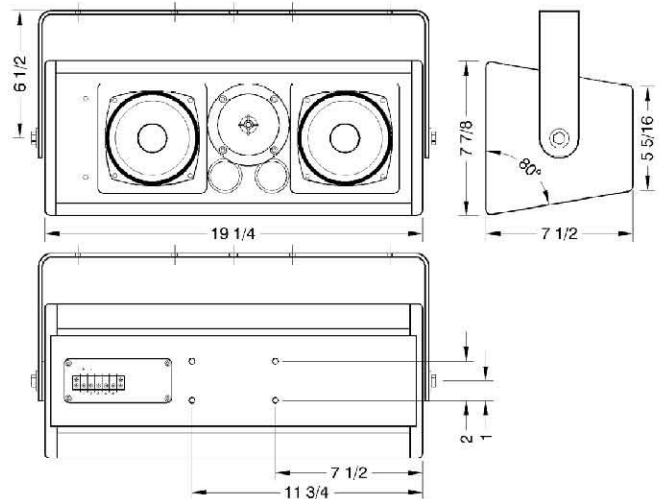
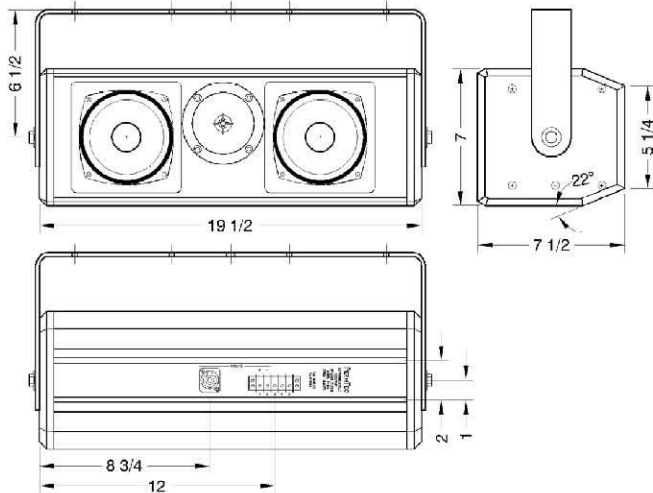


## P-100 Features:

- Extruded aluminum enclosure with ABS end caps
- Powder coated finish
- Stainless Steel hardware for improved weather resistance
- Foam backed aluminum grill
- Neutrik Speakon™ NL4 connectors and barrier strip connections

## P-100I Features:

- 15 mm Baltic Birch construction
- White or Black texture or unfinished
- Vented cabinet for better L.F. performance
- Cloth grill
- Barrier strip connections



## Specifications:

Frequency Response: 110Hz-20kHz  
 Sensitivity (1W/1M): 97 dB  
 Power Capacity: 100 W  
 Nominal Impedance: 8 ohms  
 Max Peak SPL : 118 dB  
 Nominal Coverage: 90°W x 60°H  
 Components: LF: 2 x 5" cast frame 1" vc  
                   HF: 1" horn loaded HF driver  
 X-Over Frequency: 3kHz

## Cabinet:

Dimensions: P100: 19.5" H x 7" W x 7.5" D  
                   P100I: 19.25" H x 7.9" W x 8" D  
 Net Weight: P100: 24 lbs.  
                   P100I: 21 lbs.



Professional  
Audio Systems

4233-A Lafayette Road  
Indianapolis, IN 46254  
www.pas-america.com

Tel: (317) 298-7960  
Fax: (317) 293-8393  
dmtottinger@pas-america.com

The Next Phase In Loudspeaker Technology™