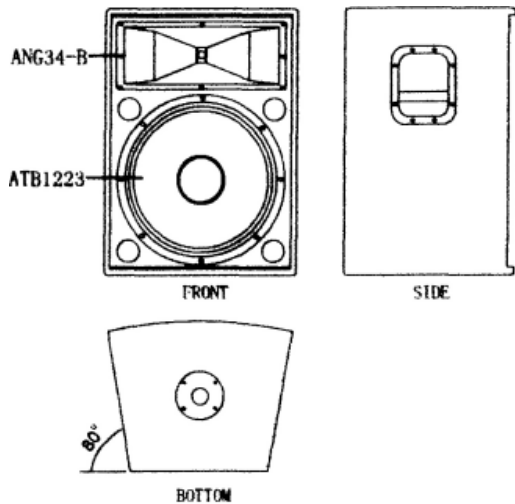


July 2009

**P-Series - Club and DJ**

P-12

**12" 2-way full-range loudspeaker**

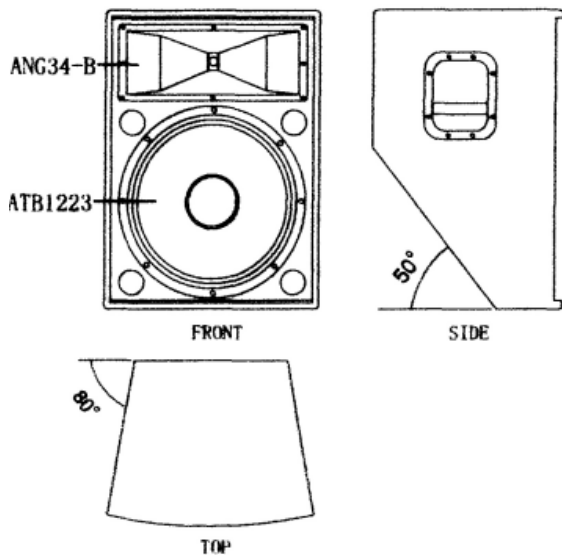


Specifications:	Impedance	8 Ohms
	Power Handling (RMS)	200 watts
	Peak Power	400 watts
	Sensitivity (1W/1M)	96 dB
	Maximum SPL (1M)	118 dB
	Frequency Response	60 Hz - 20 KHz
	Dispersion	90° x 40°
	Dimensions (H-W-D)	20" x 15" x 14"
	Weight	42 lbs.
	LF Loudspeaker	12" mid/bass
	HF Compression Driver	1.33"

- Features:
- Carpeted cabinet
  - Steel Grill
  - Two NL4 Speakon connectors
  - Pole Mount Socket

P-12M

**12" 2-way stage monitor loudspeaker**



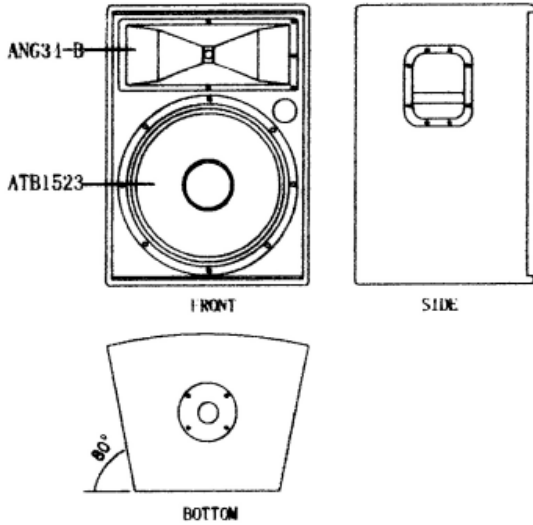
Specifications:	Impedance	8 Ohms
	Power Handling (RMS)	200 watts
	Peak Power	400 watts
	Sensitivity (1W/1M)	96 dB
	Maximum SPL (1M)	118 dB
	Frequency Response	60 Hz - 20 KHz
	Dispersion	90° x 40°
	Dimensions (H-W-D)	20" x 15" x 14"
	Weight	39 lbs.
	LF Loudspeaker	12" mid/bass
	HF Compression Driver	1.33"

- Features:
- Carpeted cabinet
  - Steel Grill
  - Two NL4 Speakon connectors

**July 2009**

**P-15**

**15" 2-way full-range loudspeaker**

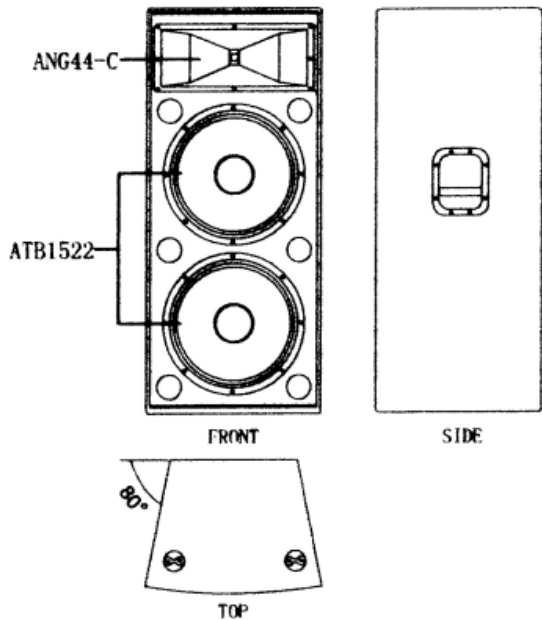


Specifications:	Impedance	8 Ohms
	Power Handling (RMS)	300 watts
	Peak Power	600 watts
	Sensitivity (1W/1M)	98 dB
	Maximum SPL (1M)	121 dB
	Frequency Response	55 Hz - 20 KHz
	Dispersion	90° x 40°
	Dimensions (H-W-D)	24" x 18" x 16"
	Weight	57 lbs.
	LF Loudspeaker	15" mid/bass
	HF Compression Driver	1.73"

- Features:
- Carpeted cabinet
  - Steel Grill
  - Two NL4 Speakon connectors
  - Pole Mount Socket

**P-225**

**Dual 15" full-range loudspeaker**



Specifications:	Impedance	4 Ohms
	Power Handling (RMS)	650 watts
	Peak Power	1300 watts
	Sensitivity (1W/1M)	101 dB
	Maximum SPL (1M)	129 dB
	Frequency Response	42 Hz - 18 KHz
	Dispersion	90° x 40°
	Dimensions (H-W-D)	37" x 18" x 15"
	Weight	101 lbs.
	LF Loudspeaker	Two 15" mid/bass
	HF Compression Driver	1.73"

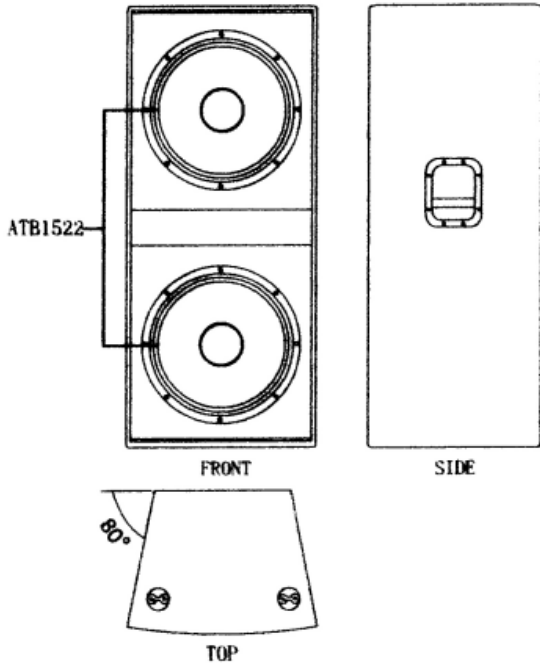
- Features:
- Steel Grill
  - Two NL4 Speakon connectors



July 2009

P-215

## Dual 15" sub-woofer loudspeaker



Specifications:	Impedance	4 Ohms
	Power Handling (RMS)	700 watts
	Peak Power	1400 watts
	Sensitivity (1W/1M)	102 dB
	Maximum SPL (1M)	130 dB
	Frequency Response	38 Hz - 1.5 KHz
	Dispersion	N/A
	Dimensions (H-W-D)	37" x 18" x 15"
	Weight	97 lbs.
	LF Loudspeaker	Two 15" bass

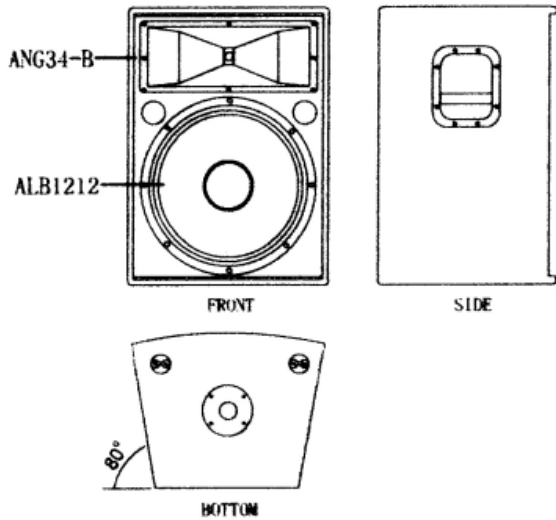
Features: Steel Grill  
Two NL4 Speakon connectors

July 2009

**D-Series - Club, DJ, Touring and Install**

D-112

12" 2-way full-range loudspeaker

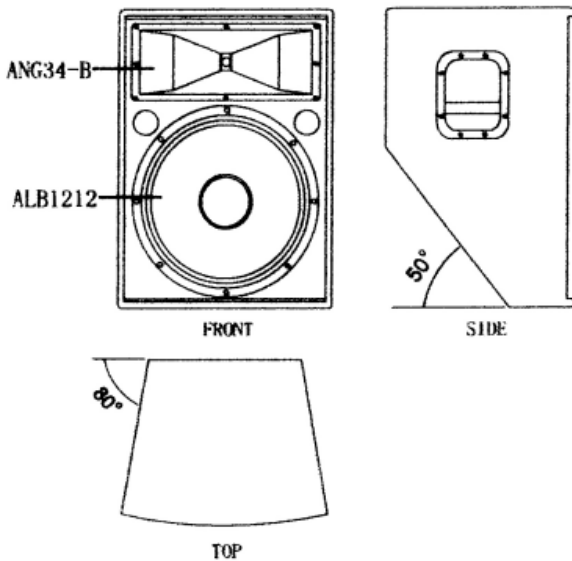


Specifications:	Impedance	8 Ohms
	Power Handling (RMS)	300 watts
	Peak Power	900 watts
	Sensitivity (1W/1M)	96 dB
	Maximum SPL (1M)	116 dB
	Frequency Response	65 Hz - 18 KHz
	Dispersion	80° H x 50° V
	Dimensions (H-W-D)	24" x 15" x 17"
	Weight	55 lbs.
	LF Loudspeaker	12" mid/bass
	HF Compression Driver	1.33" (1" exit)

- Features:
- Steel Grill
  - Two NL4 Speakon connectors
  - Pole Mount Socket
  - Flyware

D-112M

12" 2-way stage monitor loudspeaker



Specifications:	Impedance	8 Ohms
	Power Handling (RMS)	300 watts
	Peak Power	900 watts
	Sensitivity (1W/1M)	96 dB
	Maximum SPL (1M)	116 dB
	Frequency Response	65 Hz - 18 KHz
	Dispersion	80° H x 50° V
	Dimensions (H-W-D)	24" x 15" x 17"
	Weight	55 lbs.
	LF Loudspeaker	12" mid/bass
	HF Compression Driver	1.33" (1" exit)

- Features:
- Steel Grill
  - Two NL4 Speakon connectors

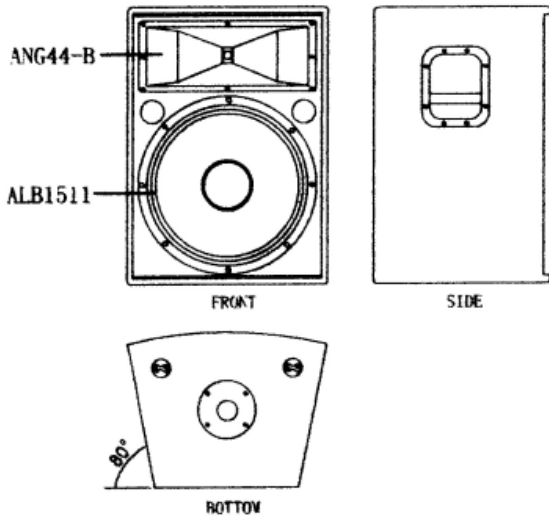
Pricing and product specification subject to change without notice.

For more Information contact call 317-298-7960 or email [info@pas-america.com](mailto:info@pas-america.com)

**July 2009**

**D-115**

**15" 2-way full-range loudspeaker**



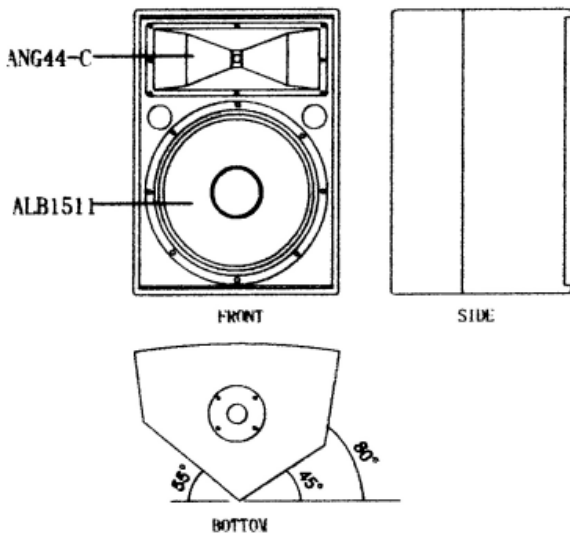
Specifications:

Impedance	8 Ohms
Power Handling (RMS)	450 watts
Peak Power	1300 watts
Sensitivity (1W/1M)	99 dB
Maximum SPL (1M)	126 dB
Frequency Response	55 Hz - 18 KHz
Dispersion	80° H x 50° V
Dimensions (H-W-D)	28" x 18" x 20"
Weight	73 lbs.
LF Compression Driver	15" mid/bass
HF Compression Driver	2" (1" exit)

- Features:
- Steel Grill
  - Two NL4 Speakon connectors
  - Pole Mount Socket
  - Flyware

**D-115M**

**15" 2-way stage monitor loudspeaker**



Specifications:

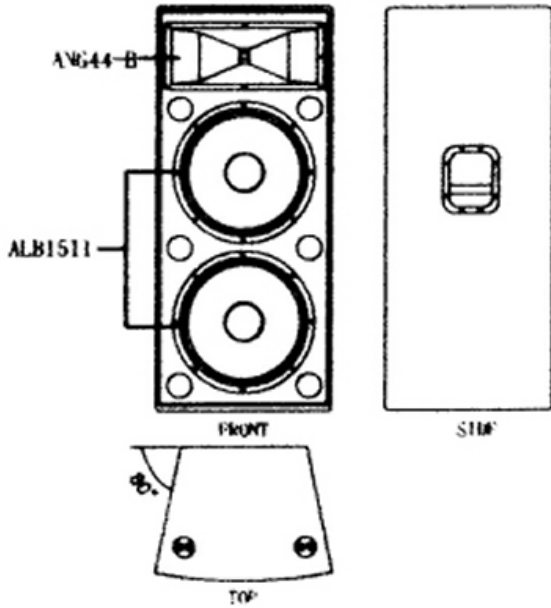
Impedance	8 Ohms
Power Handling (RMS)	450 / 1300 watts
Peak Power	
Sensitivity (1W/1M)	99 dB
Maximum SPL (1M)	126 dB
Frequency Response	55 Hz - 18 KHz
Dispersion	80° H x 50° V
Dimensions (H-W-D)	28" x 18" x 20"
Weight	73 lbs.
LF Compression Driver	15" mid/bass
HF Compression Driver	2" (1" exit)

- Features:
- Steel Grill
  - Two NL4 Speakon connectors
  - Pole Mount Socket

July 2009

D-215

Dual 15" full-range loudspeaker

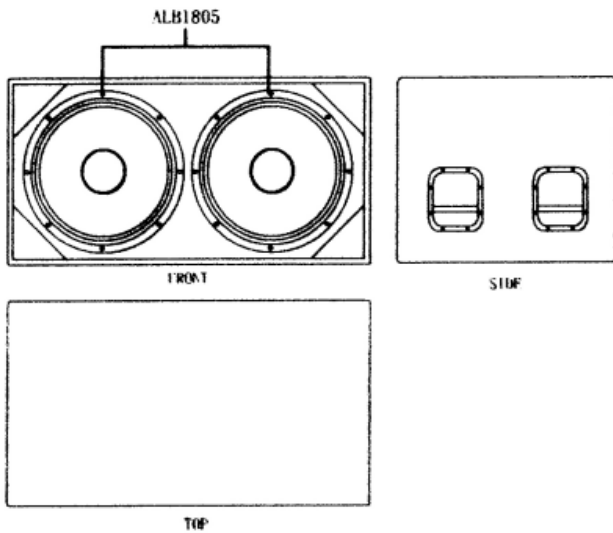


Specifications:	Impedance	4 Ohms
	Power Handling (RMS)	650 watts
	Peak Power	800 watts
	Sensitivity (1W/1M)	101 dB
	Maximum SPL (1M)	129 dB
	Frequency Response	42 Hz - 18 KHz
	Dispersion	90° x 40°
	Dimensions (H-W-D)	37" x 18" x 16"
	Weight	114 lbs.
	LF Loudspeaker	Two 15" mid/bass
	HF Compression Driver	1.73"

- Features:
- Steel Grill
  - Two NL4 Speakon connectors
  - Pole Mount Socket
  - Flyware

D-218B

Dual 18" sub-woofer loudspeaker



Specifications:	Impedance	4 Ohms
	Power Handling (RMS)	1200 watts
	Peak Power	3600 watts
	Sensitivity (1W/1M)	102 dB
	Maximum SPL (1M)	135 dB
	Frequency Response	38 Hz - 500 Hz
	Dispersion	N/A
	Dimensions (H-W-D)	22" x 42" x 31"
	Weight	225 lbs.
	LF Loudspeaker	Two 18" bass

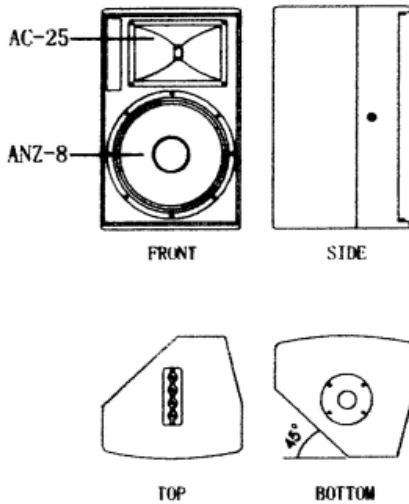
- Features:
- 18 mm Baltic birch
  - Steel Grill
  - Two NL4 Speakon connectors

July 2009

H-Series with Neodymium magnets - Touring, Install, Club and DJ

H-6ND

8" 2-way full-range loudspeaker

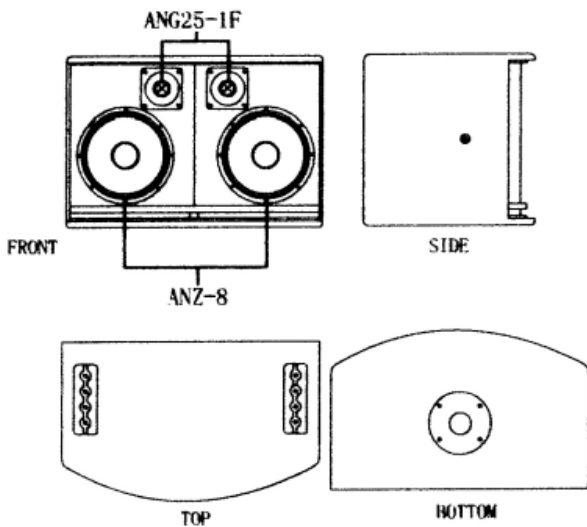


Specifications:	Impedance	8 Ohms
	Power Handling (RMS)	120 watts
	Peak Power	360 watts
	Sensitivity (1W/1M)	94 dB
	Maximum SPL (1M)	114 dB
	Frequency Response	90 Hz - 18 KHz
	Dispersion	90° H x 60° V
	Dimensions (H-W-D)	15" x 10" x 10"
	Weight	16 lbs.
	LF Loudspeaker	8" Neodymium mid/bass
	HF Compression Driver	1.33" (1" exit)

- Features:
- 18 mm Baltic birch
  - Steel Grill
  - Two NL4 Speakon connectors
  - Pole Mount Socket
  - Flytrack

H-8ND

Dual 8" 2-way full-range loudspeaker



Specifications:	Impedance	4 Ohms
	Power Handling (RMS)	200 watts
	Peak Power	600 watts
	Sensitivity (1W/1M)	96 dB
	Maximum SPL (1M)	119 dB
	Frequency Response	65 Hz - 18 KHz
	Dispersion	100° H x 100° V
	Dimensions (H-W-D)	14" x 18" x 13"
	Weight	29 lbs.
	LF Loudspeaker	Dual 8" Neodymium mid/bass
	HF Compression Driver	1"

- Features:
- 18 mm Baltic birch
  - Steel Grill
  - Two NL4 Speakon connectors
  - Pole Mount Socket
  - Flytrack

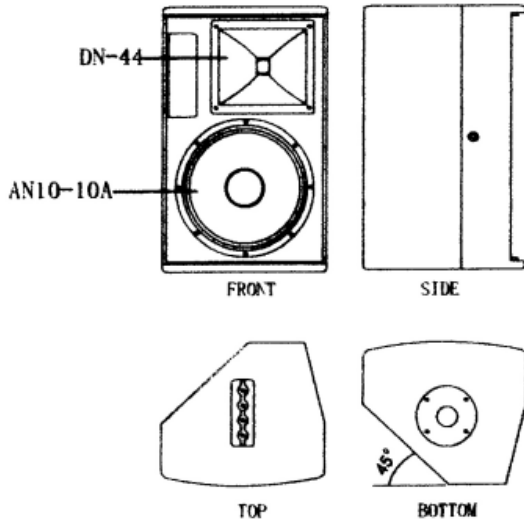
Pricing and product specification subject to change without notice.

For more Information contact call 317-298-7960 or email [info@pas-america.com](mailto:info@pas-america.com)

**July 2009**

**H-10ND**

**10" 2-way full-range loudspeaker**

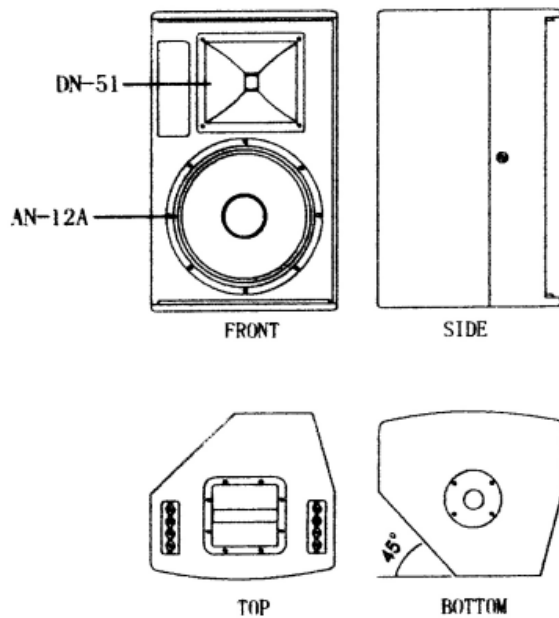


Specifications:	Impedance	8 Ohms
	Power Handling (RMS)	200 watts
	Peak Power	600 watts
	Sensitivity (1W/1M)	97 dB
	Maximum SPL (1M)	121 dB
	Frequency Response	60 Hz - 20 KHz
	Dispersion	90° H x 60° V
	Dimensions (H-W-D)	20" x 13" x 13"
	Weight	29 lbs.
	LF Loudspeaker	10" Neodymium mid/bass
	HF Compression Driver	1.73"

- Features:
- Rotatable Horn
  - 18 mm Baltic birch
  - Steel Grill
  - Two NL4 Speakon connectors
  - Pole Mount Socket
  - Flytrack

**H-12ND**

**12" 2-way full-range loudspeaker**



Specifications:	Impedance	8 Ohms
	Power Handling (RMS)	400 watts
	Peak Power	1200 watts
	Sensitivity (1W/1M)	105 dB
	Maximum SPL (1M)	123 dB
	Frequency Response	60 Hz - 18 KHz
	Dispersion	90° H x 60° V
	Dimensions (H-W-D)	23" x 14" x 14"
	Weight	39 lbs.
	LF Loudspeaker	12" Neodymium mid/bass
	HF Compression Driver	2" (1" exit)

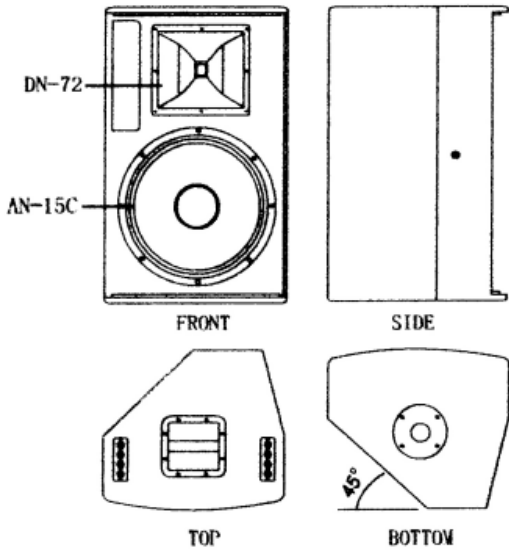
- Features:
- Rotatable Horn
  - 18 mm Baltic birch
  - Steel Grill
  - Two NL4 Speakon connectors
  - Pole Mount Socket
  - Flytrack



**July 2009**

**H-15ND**

**15" 2-way full-range loudspeaker**

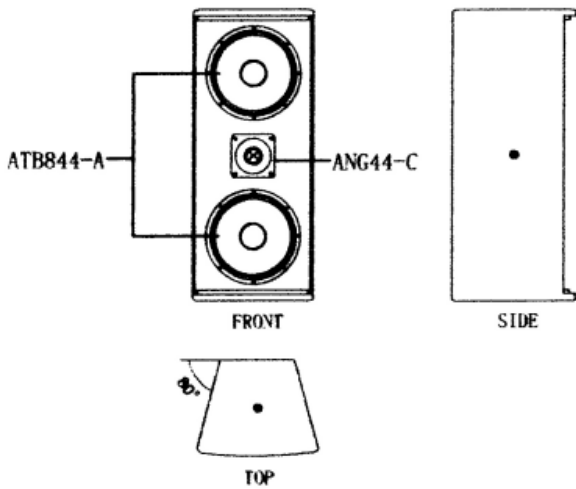


Specifications:	Impedance	8 Ohms
	Power Handling (RMS)	500 watts
	Peak Power	1500 watts
	Sensitivity (1W/1M)	115 dB
	Maximum SPL (1M)	126 dB
	Frequency Response	55 Hz - 19 KHz
	Dispersion	90° x 60°
	Dimensions (H-W-D)	28" x 18" x 17"
	Weight	59 lbs.
	LF Loudspeaker	15" Neodymium mid/bass
	HF Compression Driver	2.8" (1.5" exit)

- Features:
- Rotatable Horn
  - 18 mm Baltic birch
  - Steel Grill
  - Two NL4 Speakon connectors
  - Pole Mount Socket
  - Flytrack

**H-128ND**

**Dual 8" 2-way full-range loudspeaker**



Specifications:	Impedance	4 Ohms
	Power Handling (RMS)	200 watts
	Peak Power	600 watts
	Sensitivity (1W/1M)	105 dB
	Maximum SPL (1M)	119 dB
	Frequency Response	80 Hz - 18 KHz
	Dispersion	96° H x 60° V
	Dimensions (H-W-D)	24" x 10" x 11"
	Weight	33 lbs.
	LF Loudspeaker	Dual 8" Neodymium mid/bass
	HF Compression Driver	1.33" (1" exit)

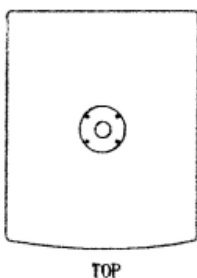
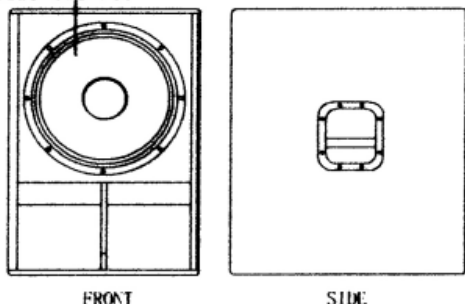
- Features:
- 18 mm Baltic birch
  - Steel Grill
  - Two NL4 Speakon connectors
  - Flyware

**Pricing and product specification subject to change without notice.  
For more Information contact call 317-298-7960 or email [info@pas-america.com](mailto:info@pas-america.com)**

**July 2009**

**H-18B**

LB 1820-115-250



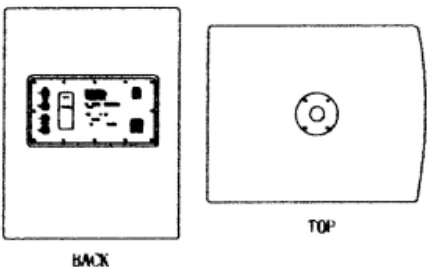
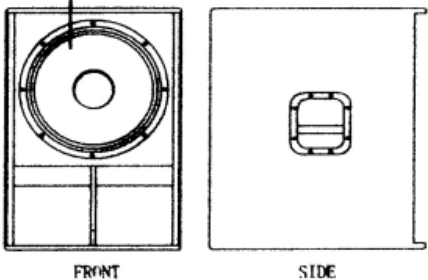
**18" sub-woofer loudspeaker**

Specifications:	Impedance	8 Ohms
	Power Handling (RMS)	600 watts
	Peak Power	1800 watts
	Sensitivity (1W/1M)	102 dB
	Maximum SPL (1M)	129 dB
	Frequency Response	40 Hz - 500 Hz
	Dispersion	N/A
	Dimensions (H-W-D)	28" x 21" x 27"
	Weight	100 lbs.
	LF Loudspeaker	18" bass
	LF Voice Coil	4.5"

- Features:
- 18 mm Baltic birch
  - Steel Grill
  - Two NL4 Speakon connectors
  - Pole Mount Socket

**H-18SP**

LB 1820-115-250



**Active 18" sub-woofer loudspeaker**

Specifications:	Power Amp	300 watts
	Sensitivity (1W/1M)	105 dB
	Maximum SPL (1M)	126 dB
	Frequency Response	40 Hz - 500 Hz @ -10dB
	Dispersion	N/A
	Dimensions (H-W-D)	28" x 21" x 27"
	Weight	117 lbs.
	LF Loudspeaker	18" bass
	LF Voice Coil	4.5"

- Features:
- 18 mm Baltic birch
  - Steel Grill
  - XLR Balanced In and Out
  - Pole Mount Socket
  - Built in power amp

**Pricing and product specification subject to change without notice.**

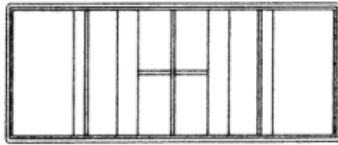
**For more Information contact call 317-298-7960 or email [info@pas-america.com](mailto:info@pas-america.com)**



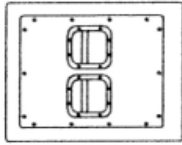
**July 2009**

**H-218**

## Dual 18" long throw sub-woofer loudspeaker



FRONT



SIDE



TOP

SLF: LB 1820-115-250

Specifications:	Impedance	4 Ohms
	Power Handling (RMS)	1600 watts
	Peak Power	4800 watts
	Sensitivity (1W/1M)	103 dB
	Maximum SPL (1M)	136 dB
	Frequency Response	32 Hz - 350 Hz @ -10dB
	Dispersion	N/A
	Dimensions (H-W-D)	21" x 51" x 28"
	Weight	199 lbs.
	LF Loudspeaker	Dual 18" bass
	LF Voice Coil	4.5"

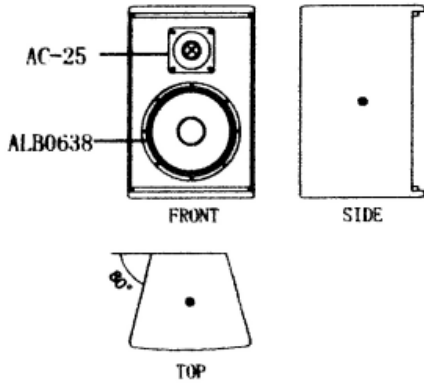
Features: 18 mm Baltic birch  
Steel Grill  
Two NL4 Speakon connectors

July 2009

KT-Series - Corporate Install

KT-5

6.5" 2-way full-range loudspeaker

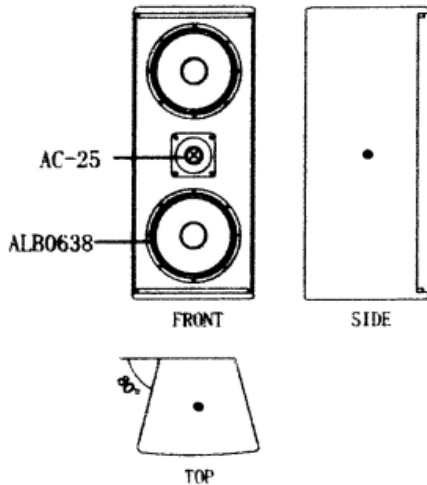


Specifications:	Impedance	16 Ohms
	Power Handling (RMS)	50 watts
	Peak Power	150 watts
	Sensitivity (1W/1M)	92 dB
	Maximum SPL (1M)	109 dB
	Frequency Response	90 Hz - 18 KHz
	Dispersion	100° H x 100° V
	Dimensions (H-W-D)	10 x 6.6 x 6.5
	Weight	13 lbs.
	LF Loudspeaker	6.5" mid/bass
	HF Compression Driver	1"

Features: Binding Posts  
Fly points

KT-6

Dual 6.5" 2-way full-range loudspeaker



Specifications:	Impedance	8 Ohms
	Power Handling (RMS)	100 watts
	Peak Power	300 watts
	Sensitivity (1W/1M)	105 dB
	Maximum SPL (1M)	114 dB
	Frequency Response	85 Hz - 18 KHz
	Dispersion	100° H x 100° V
	Dimensions (H-W-D)	19" x 8" x 8"
	Weight	21 lbs.
	LF Loudspeaker	Dual 6.5" mid/bass
	HF Compression Driver	1"

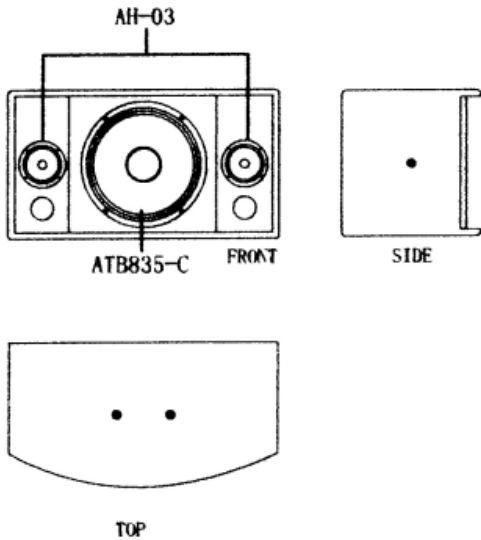
Features: Binding Posts  
Fly points

Pricing and product specification subject to change without notice.

For more Information contact call 317-298-7960 or email [info@pas-america.com](mailto:info@pas-america.com)

July 2009

KT-8

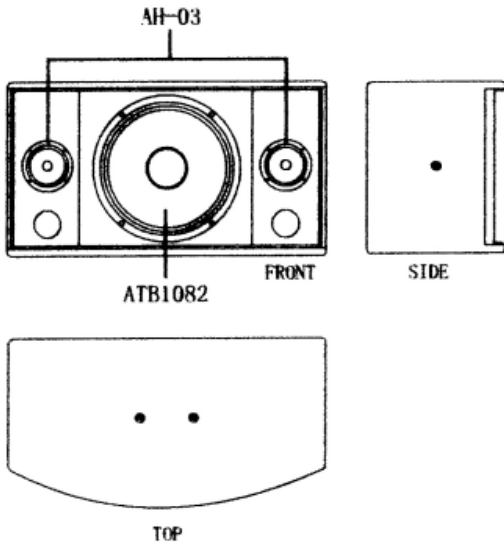


8" 2-way full-range loudspeaker

Specifications:	Impedance	8 Ohms
	Power Handling (RMS)	100 watts
	Peak Power	300 watts
	Sensitivity (1W/1M)	90 dB
	Maximum SPL (1M)	110 dB
	Frequency Response	75 Hz - 20 KHz
	Dispersion	100° H x 100° V
	Dimensions (H-W-D)	10" x 18" x 11"
	Weight	21 lbs.
	LF Loudspeaker	8.0" bass
	Mid-High Frequency Driver	Dual 3.8"

Features: Binding Posts  
Fly points

KT-10



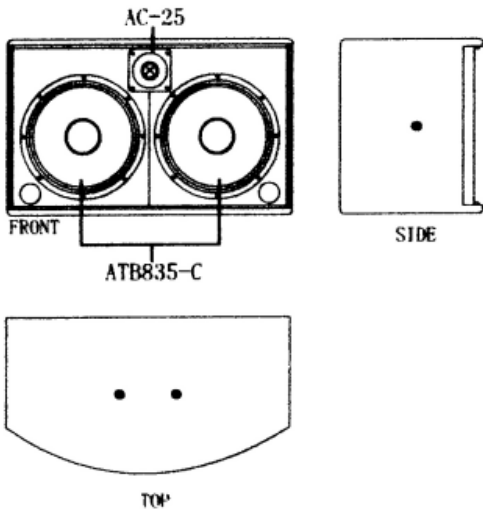
10" 2-way full-range loudspeaker

Specifications:	Impedance	8 Ohms
	Power Handling (RMS)	120 watts
	Peak Power	240 watts
	Sensitivity (1W/1M)	91 dB
	Maximum SPL (1M)	111 dB
	Frequency Response	65 Hz - 18 KHz
	Dispersion	100° H x 100° V
	Dimensions (H-W-D)	12" x 19" x 11"
	Weight	28 lbs.
	LF Loudspeaker	10" bass
	Mid-High Frequency Driver	Dual 3.8"

Features: Binding Posts  
Fly points

July 2009

KT-228

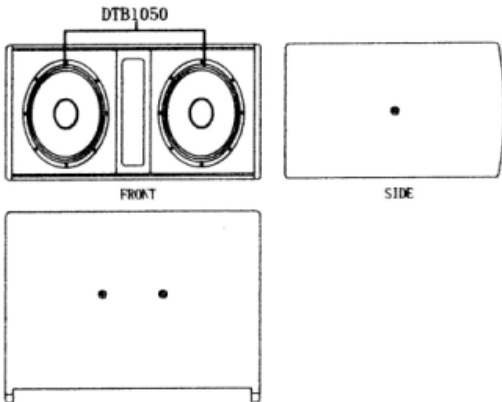


Dual 8" 2-way full-range loudspeaker

Specifications:	Impedance	4 Ohms
	Power Handling (RMS)	180 watts
	Peak Power	540 watts
	Sensitivity (1W/1M)	93 dB
	Maximum SPL (1M)	115 dB
	Frequency Response	60 Hz - 20 KHz
	Dispersion	100° H x 100° V
	Dimensions (H-W-D)	13" x 18" x 11"
	Weight	26 lbs.
	LF Loudspeaker	Dual 8" mid/bass
	HF Compression Driver	1"

Features: Binding Posts  
Fly points

KT-210



Dual 10" long throw sub-woofer loudspeaker

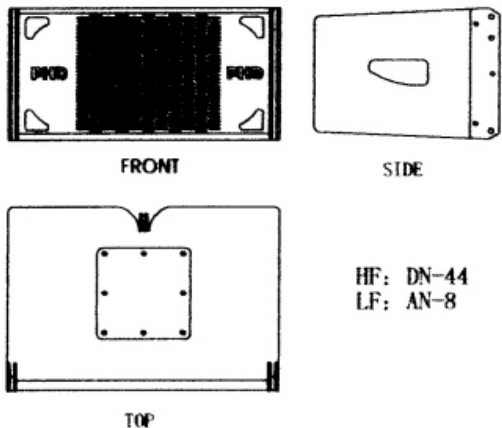
Specifications:	Impedance	8 Ohms
	Power Handling (RMS)	300 watts
	Peak Power	900 watts
	Sensitivity (1W/1M)	96 dB
	Maximum SPL (1M)	120 dB
	Frequency Response	45 Hz - 500 Hz
	Dimensions (H-W-D)	14" x 24" x 23"
	Weight	71 lbs.
	LF Loudspeaker	Dual 10" bass
	LF Voice Coil	2"

Features: Binding Posts  
Birch cabinet

July 2009

LA-Series Line Array with Neodymium magnets

LA-8ND

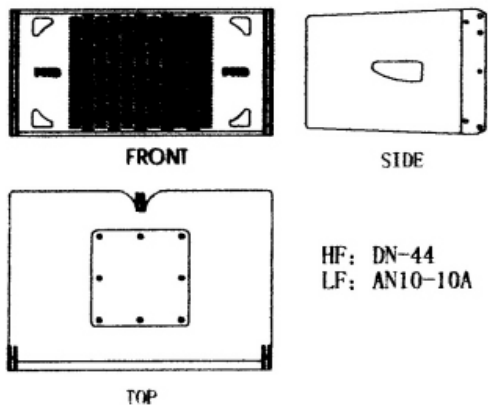


Dual 8" with dual 1" compression driver (includes flyw

Specifications:	Impedance	8 Ohms
	Power Handling Passive	240 watts rms / 720 watts peak
	Power Handling Active LMF	180 watts rms / 450 watts peak
	Power Handling Active HF	60 watts rms / 180 watts peak
	Sensitivity (1W/1M)	96 dB
	Maximum SPL	120 dB
	Frequency Response	65 Hz - 20 KHz
	Dispersion	H = 120° V = 5°
	Dimensions (H-W-D)	9 x 18.7 x 12.7
	Weight	44 lbs.
	LF Loudspeaker	Dual 8" mid/bass
	HF Compression Driver	1.73" (1" exit)

Features: Baltic birch  
Flyware

LA-20ND



Dual 10" with dual 1" compression drivers (includes fl

Specifications:	Impedance	8 Ohms passive, LMF 8 Ohms, HF 8 (
	Power Handling Passive	400 watts rms / 1200 watts peak
	Power Handling Active LMF	300 watts rms / 900 watts peak
	Power Handling Active HF	120 watts rms / 480 watts peak
	Power Handling Active	
	Sensitivity (1W/1M)	100 dB
	Maximum SPL	127 dB
	Frequency Response	60 Hz - 18 KHz
	Dispersion	H = 120° V = 5°
	Dimensions (H-W-D)	12" x 25" x 17"
	Weight	51 lbs.
	LF Loudspeaker	Dual 10" mid/bass
	HF Compression Driver	Dual 1.73" (1" exit)

Features: Baltic birch  
Flyware

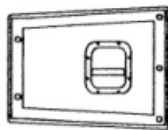


July 2009

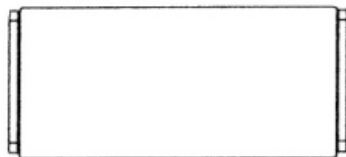
LA-22ND



FRONT



SIDE



TOP

HF: DN-51  
MF: ANZ-6  
LF: AN-12A

Dual 12" LF, (4) 6.5" MF and dual 2" HF (includes flyware)

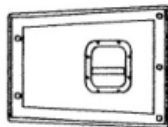
Specifications:	Impedance	LF 8 Ohms x 2 MF 8 Ohms HF 16 Ohms
	Power Handling	1000 watts rms / 2400 watts peak 600 watts rms / 1400 watts peak 200 watts rms / 600 watts peak
	Sensitivity (1W/1M)	LF 100 dB MF 104 dB HF 108 dB
	Maximum SPL	LF 130 dB MF 131 dB HF 131 dB
	Frequency Response	55 Hz - 17 KHz
	Dispersion	H = 90° V = 10°
	Dimensions (H-W-D)	16" x 37" x 21"
	Weight	106 lbs.
	LF Loudspeaker	Dual 12"
	MF Loudspeaker	Dual 6.5"
	HF Compression Driver	Dual 2" (1" exit)

Features: Baltic birch  
Flyware

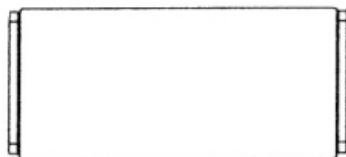
LA-30ND



FRONT



SIDE



TOP

HF: DN-51  
MF: ANZ-6  
LF: AN-12A

Dual 15" HF, (4) 8" MF and (3) 2" HF (includes flyware)

Specifications:	Impedance	LF 8 Ohms x 2 MF 8 Ohms HF 16 Ohms
	Power Handling	1200 watts rms / 3600 watts peak 600 watts rms / 1800 watts peak 300 watts rms / 900 watts peak
	Sensitivity (1W/1M)	LF 102 dB MF 106 dB HF 110 dB
	Maximum SPL	LF 132 dB MF 132 dB HF 134 dB
	Frequency Response	45 Hz - 16 KHz
	Dispersion	H = 90° V = 10°
	Dimensions (H-W-D)	20" x 46" x 22"
	Weight	137 lbs.
	LF Loudspeaker	Dual 15"
	MF Loudspeaker	Four 8"
	HF Compression Driver	Three 2.8" (1.5" exit)

Features: Baltic birch  
Flyware

Pricing and product specification subject to change without notice.

For more Information contact call 317-298-7960 or email [info@pas-america.com](mailto:info@pas-america.com)